

# EL 560 EC K 01

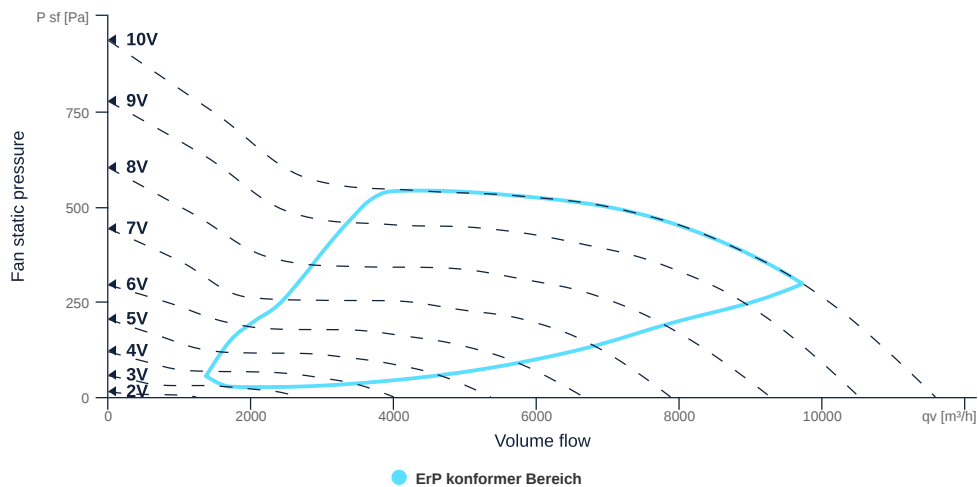
164051

- Innovative, high-efficiency diagonal fan
- Optimally tuned, CFD-optimized aerodynamics
- The benchmark for efficiency since 2007
- High efficiency EC motor, steplessly controllable
- Conveyed medium temperature up to 60 °C in continuous operation
- Housing made of aluminum



## FAN CURVES

Name	Value	Unit
Volume flow	0	m³/h
Pressure	0	Pa



to the product detail page

## GENERAL DATA

Name	Value	Unit	Formula symbol
Labeling	CE, UKCA		
Duct size	-		WxH <sub>duct</sub>
Pipe connection size (DN)	DN560		DN
Rated voltage (entire device)	400	V	U <sub>rated</sub>
Phases (entire device)	3~		phase
Electrical protection (entire device)	6 A		fuse
Housing material	Aluminium		mat <sub>casing</sub>
Impeller material	Aluminium		mat <sub>impeller</sub>
IP-protection class (entire device)	IPX4		IP <sub>compl</sub>
Weight	28.6	kg	m
Fan type	Diagonal		Fan <sub>type</sub>
Category / Installation situation	A		cat

## MAXIMAL DATA

Name	Value		Unit	Formula symbol
	50 Hz	60 Hz		
Max. power consumption (device)	1642	1642	W	P <sub>ed, max</sub>
Max. operating current (device)	2.43	2.43	A	I <sub>ed, max</sub>
Max. speed	1750	1750	1/min	n <sub>max</sub>
Max. stat. efficiency	58.8	58.8	%	η <sub>es</sub>
Max. fan efficiency	64.1	64.1	%	η <sub>e</sub>
Max. flowrate	11580	11580	m <sup>3</sup> /h	Q <sub>v, max</sub>
Max. stat pressure	940	940	Pa	p <sub>sf, max</sub>
Max. medium temperature	60	60	°C	T <sub>m, max</sub>
Max. environment temperature	60	60	°C	T <sub>amb, max</sub>
Min. environment temperature	-20	-20	°C	T <sub>amb, min</sub>



to the product detail page

## MOTOR DATA

Name	Value		Unit	Formula symbol
	50 Hz	60 Hz		
Rated frequency (device)		50		f
Motor type		EC		phase
Control type		stepless-controlled		ctrltype
Installation type		IRM (In)		install
Rotation direction		right		rotation
Isolation class		ISO F		ISOclass
Motor-protection		TEC		protectmotor
Protection class		IP55		IPmotor
Is pole-changeable		No		polexch
Type of power supply		AC 3~		pwsupmotor
Rated voltage	400		V	U <sub>rated, f1</sub>
Rated current	4.28		A	I <sub>rated, f1</sub>
Shaft power	2200		W	P <sub>out, f1</sub>
Speed	3000		1/min	n <sub>f1</sub>
Efficiency	86.4		%	η <sub>m, f1</sub>
Min. temperature	-20		°C	T <sub>motor, min</sub>
Cos Phi	0.900000	0.000000		cos φ
UL-Certification motor		None		ULcert

## ERP DATA (LOT11)

Name	Value	Unit	Formula symbol
Speed at the energy efficiency optimum	1749	1/min	n <sub>opt</sub>
Efficiency level	63.3	%	N
Efficiency category	statisch		catefficiency
Input power of the motor at the energy efficiency optimum	1.68	kW	P <sub>e, opt</sub>
Overall efficiency	71.4	%	η <sub>ges</sub>
Measurement category	A		meas cat
Fan pressure at energy efficiency optimum	481	Pa	p <sub>f, opt</sub>
Flowrate at energy efficiency optimum	7436	m³/h	Q <sub>v, opt</sub>

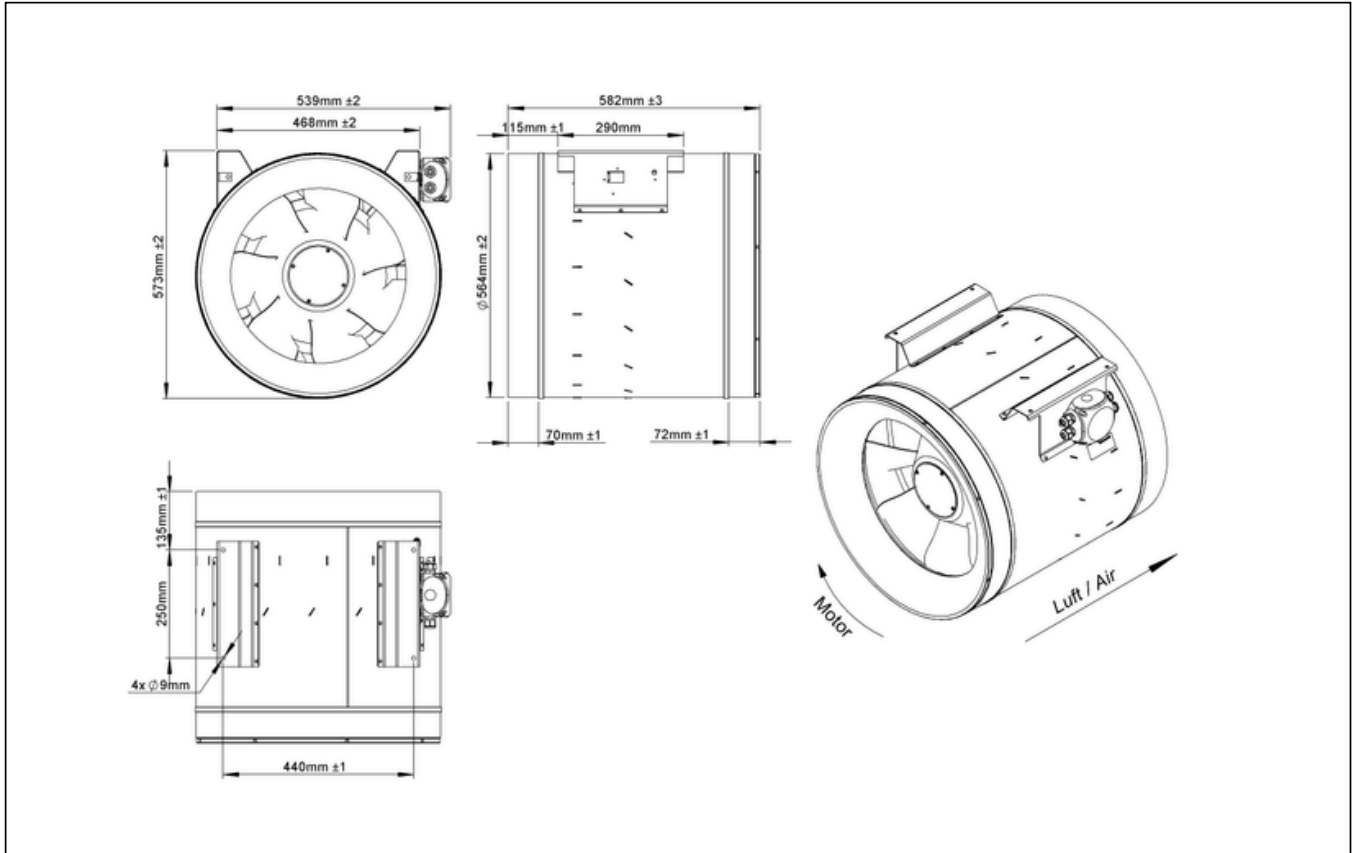


to the product detail page

# EL 560 EC K 01

164051

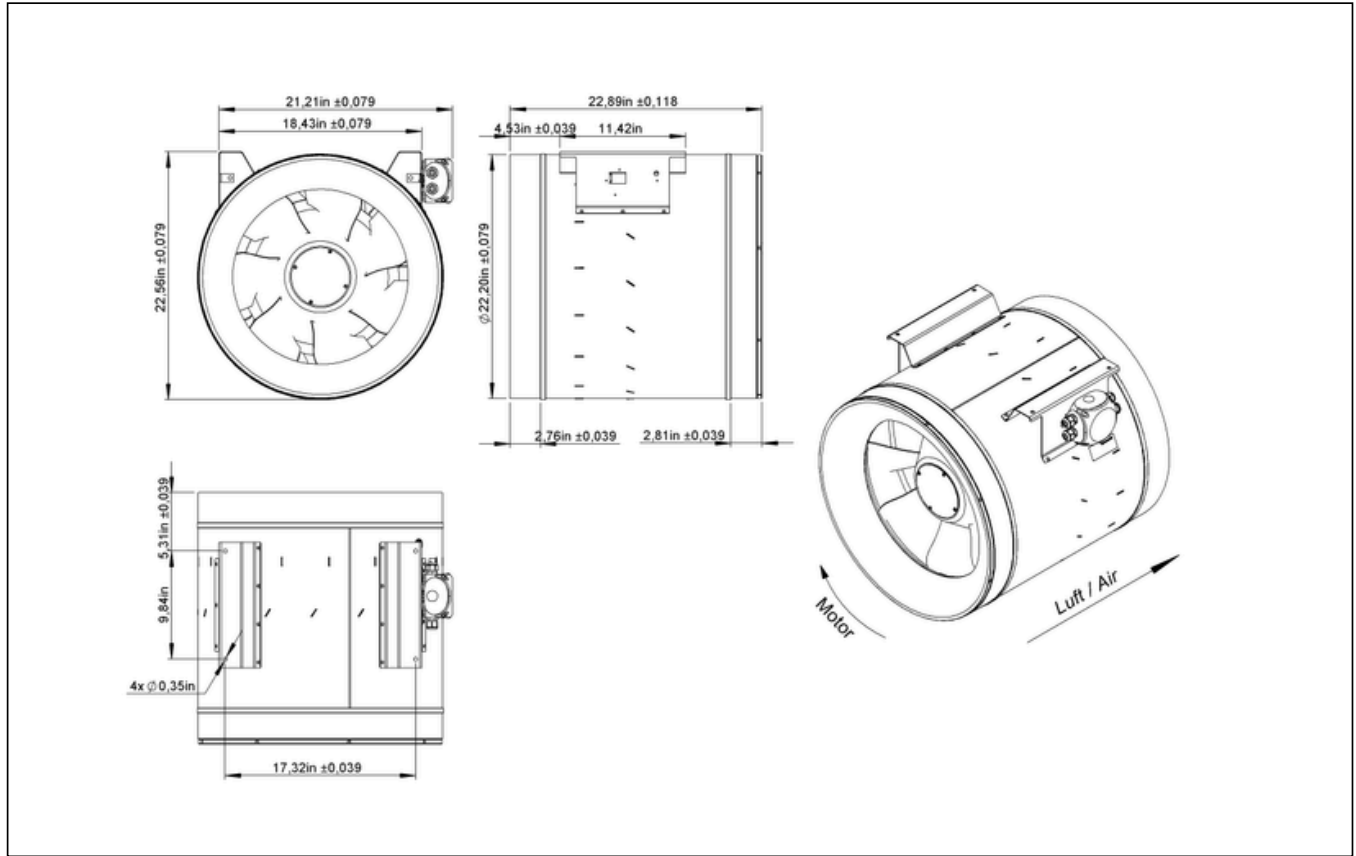
## CIRCUIT DIAGRAMS / DIMENSIONAL DRAWINGS



to the product detail page

# EL 560 EC K 01

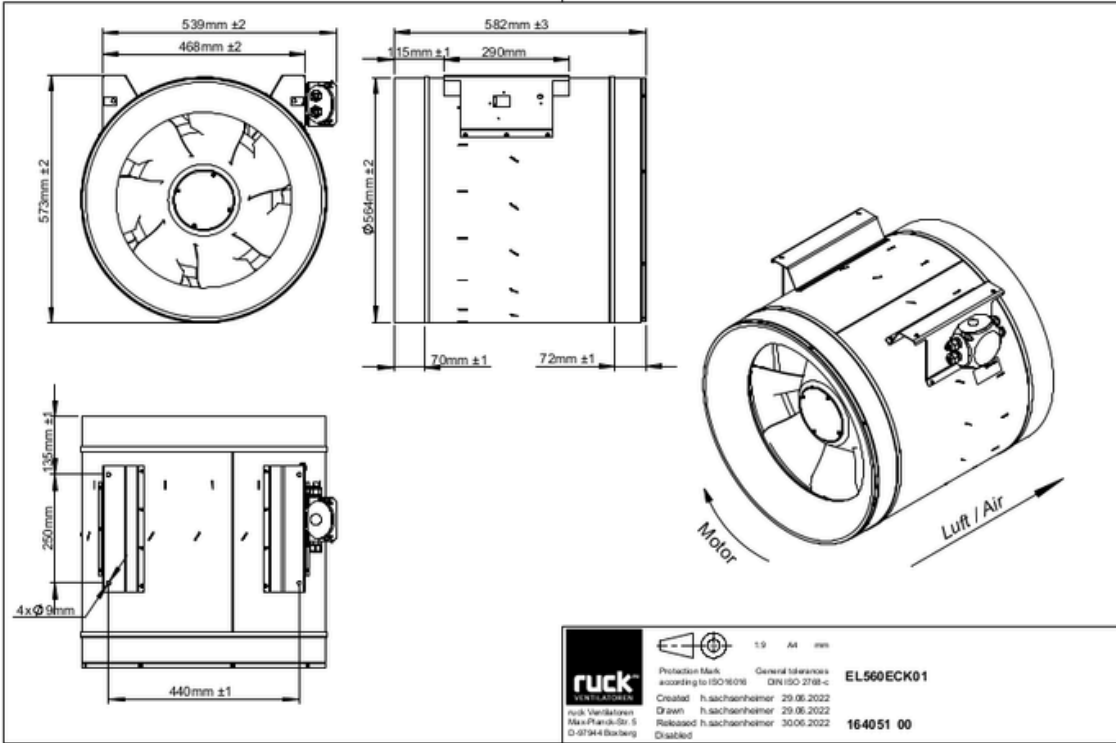
164051



to the product detail page

# EL 560 EC K 01

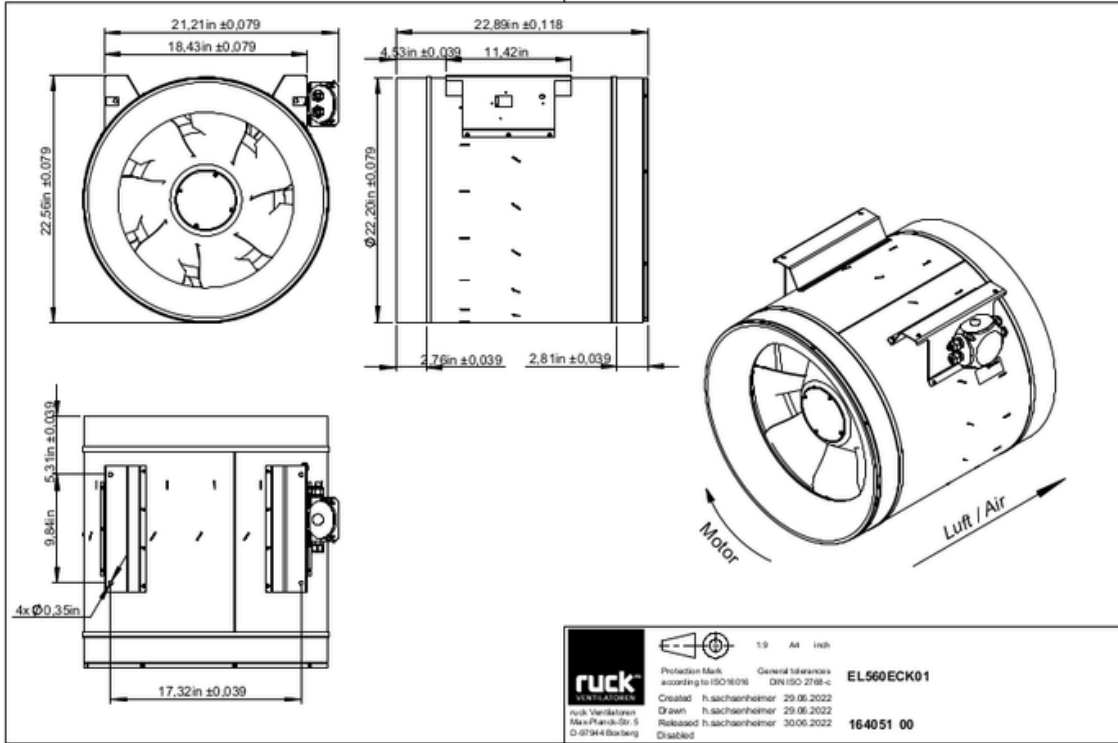
164051



to the product detail page

# EL 560 EC K 01

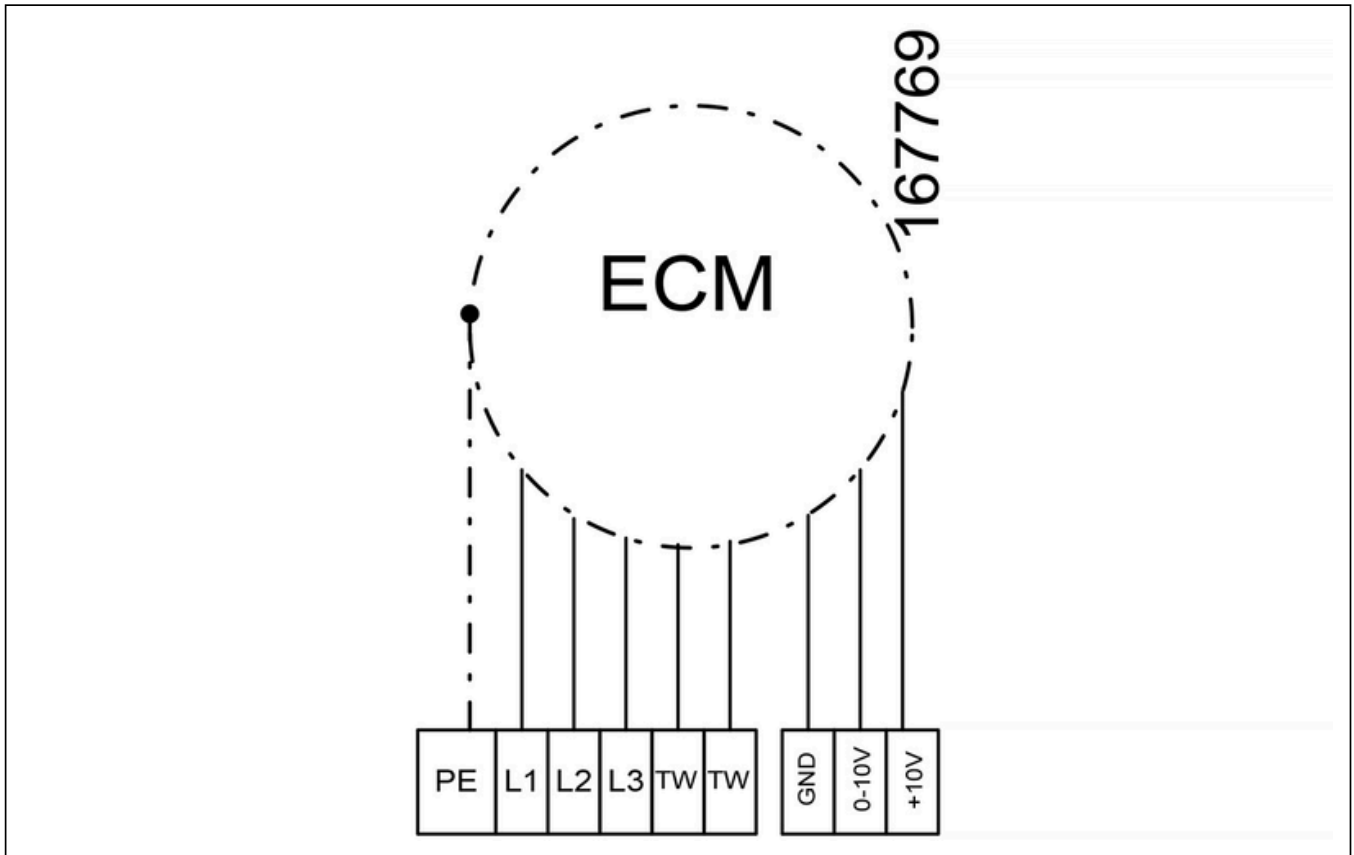
164051



to the product detail page

**EL 560 EC K 01**

164051



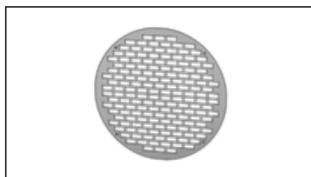
**MECHANICAL ACCESSORIES**

VM 560 | 119496



- Fast clamps for sound decoupling and sealing
- Galvanized steel sheet, 5 mm
- Neopren gasket
- 1 Pack = 2 pieces

SG 560 02 | 119412



- Inlet protection grille for Etaline
- Galvanized steel sheet



to the product detail page



# EL 560 EC K 01

164051

## ELECTRICAL ACCESSORIES

**GS 03 | 107633**



- Device switch
- $U_{max} = 400\text{ V}$ ,  $I_{max} = 25\text{ A}$
- Switching capacity  $400\text{ V } 3\sim = 7,5\text{ kW}$
- Protection class IP 55

**MTP 20 | 128146**



- Potentiometer  $10\text{ k}\Omega$
- Switching contact  $1\text{A}/250\text{V AC} - 2,5\text{A}/12\text{V DC}$
- Max. ambient temperature  $50\text{ }^\circ\text{C}$
- VDE

**MTP 30 | 143289**



- Stepped potentiometer  $10\text{ k}\Omega$
- Step 1 + 2 settable  $10\% - 100\% \text{ Vdc}$
- Step 3  $100\% \text{ Vdc}$
- Supply voltage  $+10\text{ Vdc}$

**MTP 40 | 147359**



- Potentiometer  $10\text{ k}\Omega$
- Connection in terminal box
- Max. ambient temperature  $50\text{ }^\circ\text{C}$
- PU: 20 pieces

**SEN AIR | 148641**



- Airflow and temperature transducer
- Measuring range temperature  $0...+50\text{ }^\circ\text{C}$
- With adjustable switching threshold (air speed)
- Measuring range air velocity up to  $20\text{ m/s}$

**CON P1000 | 115259**



- Constant pressure control
- Actual value display possible via optional control unit
- Output  $0-10\text{ V DC} + \text{FC enable} + \text{setpoint reached}$
- Pressure setting by means of decade switch

**MTP 50 | 168752**



- Potentiometer with multifunction output
- $230\text{ VAC } \pm 10\% / 50-60\text{ Hz}$
- Selectable output:  $1-10\text{ VDC} / 2-20\text{ mA} / 10-100\% \text{ PWM}$
- Min. and max. output value adjustable



to the product detail page